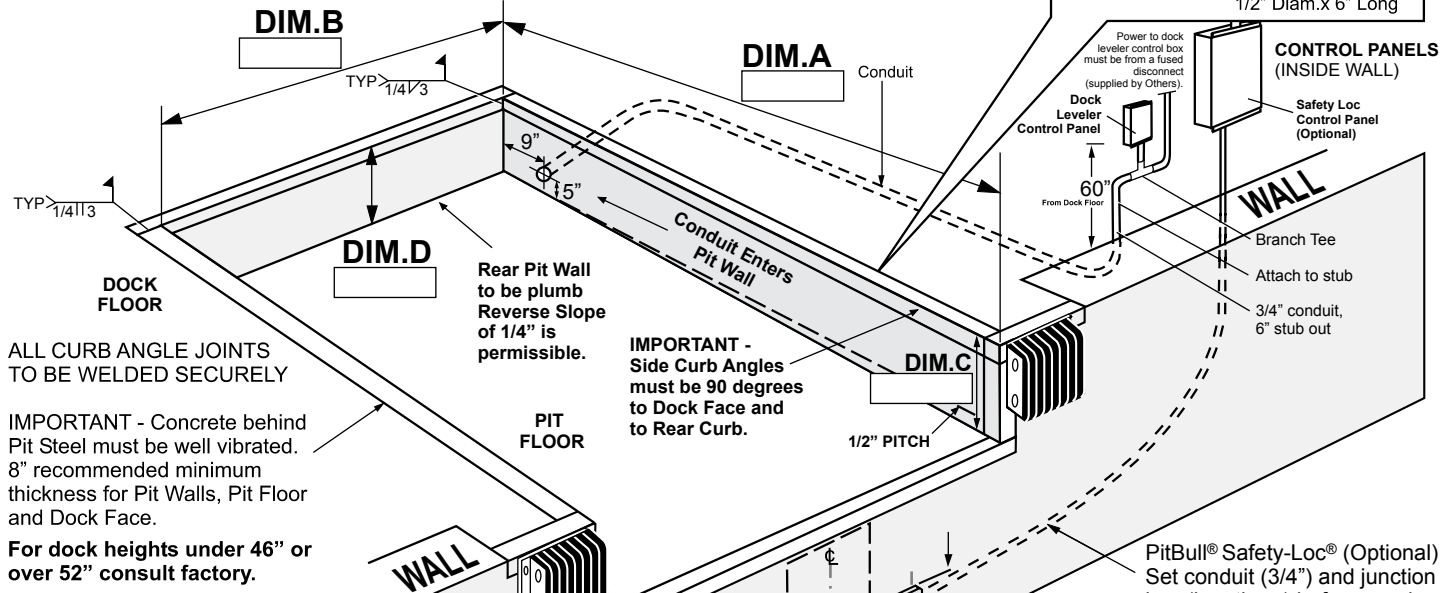
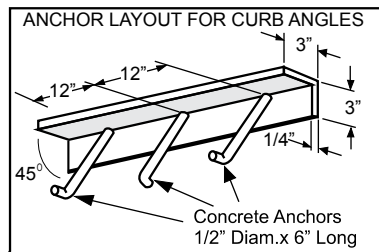




# PIT LAYOUT DETAILS

- HYDRAULIC LEVELERS
- MECHANICAL LEVELERS

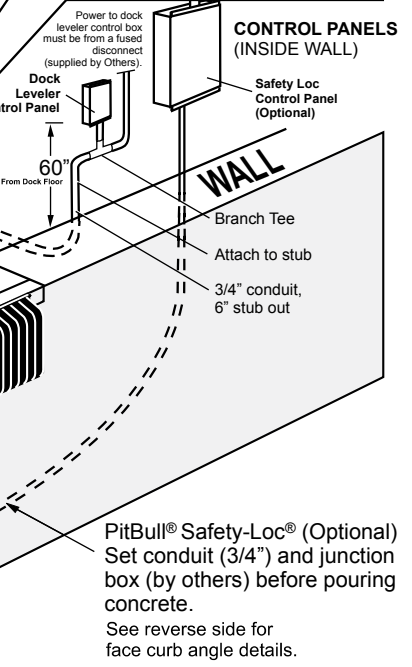
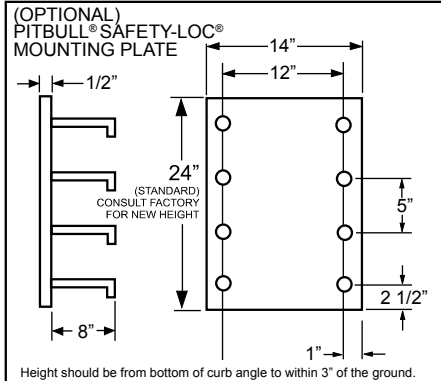
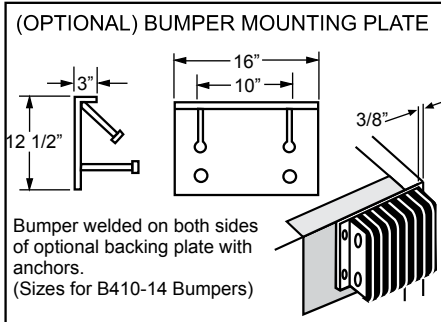
For Hydraulic Units Only -  
Set Conduit (3/4") Before  
Pouring Concrete. (By Others)



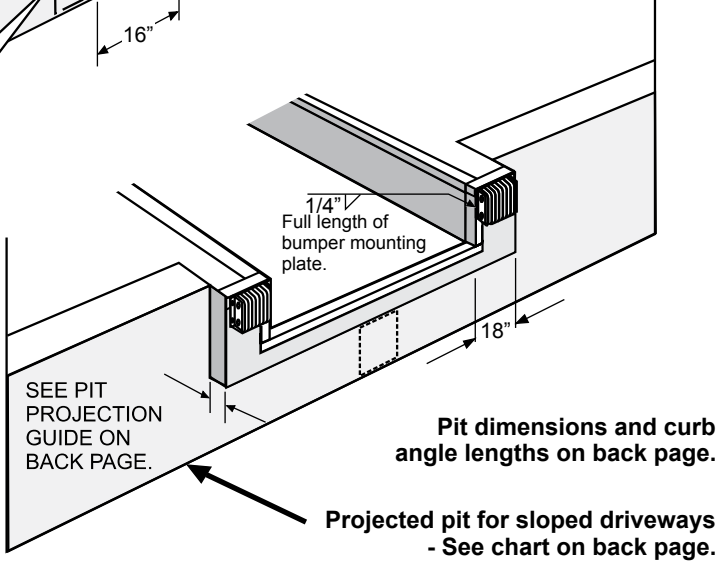
ALL CURB ANGLE JOINTS  
TO BE WELDED SECURELY

IMPORTANT - Concrete behind  
Pit Steel must be well vibrated.  
8" recommended minimum  
thickness for Pit Walls, Pit Floor  
and Dock Face.

For dock heights under 46" or  
over 52" consult factory.



PitBull® Safety-Loc® (Optional)  
Set conduit (3/4") and junction  
box (by others) before pouring  
concrete.  
See reverse side for  
face curb angle details.



Pit dimensions and curb  
angle lengths on back page.

## PROJECT INFORMATION

Job Name \_\_\_\_\_

Address \_\_\_\_\_

General Contractor \_\_\_\_\_

Serco Distributor \_\_\_\_\_

Quantity \_\_\_\_\_ Voltage \_\_\_\_\_

Dock Leveler Model \_\_\_\_\_

## CONSTRUCTION APPROVAL

Company \_\_\_\_\_

Address \_\_\_\_\_

By \_\_\_\_\_

Date \_\_\_\_\_

## NOTICE

Pit Dimensional Tolerances are +/- 1/8" on squareness, Depth, Width and Length.  
 SERCO Assumes No Liability for Deviations beyond this Tolerance.

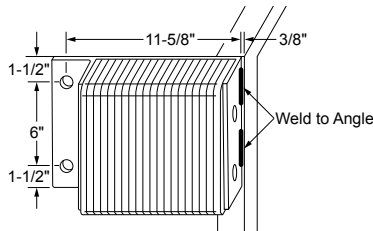
**DIMENSIONS BELOW ARE FOR ALL WL, WS, HL Series PIT TYPE LEVELERS OF 30-50K CAPACITIES.  
 FOR HD 60,000 LBS AND 80,000 LBS CAPACITY LEVELERS DIM "C" IS 24" AND DIM "D" IS 23 1/2" FOR ALL SIZES.  
 5', 6' & 8' LONG LEVELERS OF 30-50K CAN BE PLACED IN 24" DEEP PITS WITH OPTIONAL RISER KIT.**

| MODEL        | PIT DIMENSIONS |         |         |         | CURB ANGLE LENGTHS |           |          |      |        |
|--------------|----------------|---------|---------|---------|--------------------|-----------|----------|------|--------|
|              | DIM "A"        | DIM "B" | DIM "C" | DIM "D" | REAR (1)           | FRONT (1) | SIDE (1) | FACE | BUMPER |
| 5' x 6'      | 51"            | 73"     | 20"     | 19 1/2" | 79"                | 79"       | 48"      | 17"  | 21"    |
| 6' x 6'      | 63"            | 73"     | 20"     | 19 1/2" | 79"                | 79"       | 60"      | 17"  | 21"    |
| 8' x 6'      | 87"            | 73"     | 20"     | 19 1/2" | 79"                | 79"       | 84"      | 17"  | 21"    |
| 10' x 6'     | 111"           | 73"     | 24"     | 23 1/2" | 79"                | 79"       | 108"     | 21"  | 21"    |
| 12' x 6' †   | 135"           | 73"     | 24"     | 23 1/2" | 79"                | 79"       | 132"     | 21"  | 21"    |
| 6' x 6'6"    | 63"            | 79"     | 20"     | 19 1/2" | 85"                | 85"       | 60"      | 17"  | 21"    |
| 8' x 6'6"    | 87"            | 79"     | 20"     | 19 1/2" | 85"                | 85"       | 84"      | 17"  | 21"    |
| 10' x 6'6"   | 111"           | 79"     | 24"     | 23 1/2" | 85"                | 85"       | 108"     | 21"  | 21"    |
| 12' x 6'6" † | 135"           | 79"     | 24"     | 23 1/2" | 85"                | 85"       | 132"     | 21"  | 21"    |
| 6' x 7'      | 63"            | 85"     | 20"     | 19 1/2" | 91"                | 91"       | 60"      | 17"  | 21"    |
| 8' x 7'      | 87"            | 85"     | 20"     | 19 1/2" | 91"                | 91"       | 84"      | 17"  | 21"    |
| 10' x 7'     | 111"           | 85"     | 24"     | 23 1/2" | 91"                | 91"       | 108"     | 21"  | 21"    |
| 12' x 7' †   | 135"           | 85"     | 24"     | 23 1/2" | 91"                | 91"       | 132"     | 21"  | 21"    |

**\* NOTE - CURB ANGLES SUPPLIED BY OTHERS. † N/A ON MECHANICAL LEVELERS**

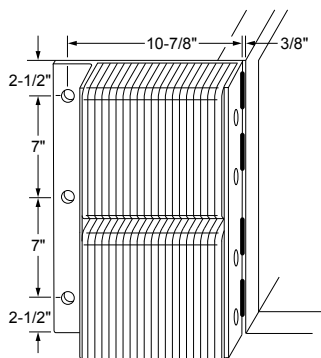
### PIT PROJECTION GUIDE FOR DECLINE DRIVE CONDITIONS

| PERCENTAGE OF DRIVEWAY GRADE | 0% | 1% | 2% | 3% | 4% | 5% | 6% | 7% | 8%  | 9%  | 10% |
|------------------------------|----|----|----|----|----|----|----|----|-----|-----|-----|
| PIT PROJECTION               | 0" | 2" | 3" | 4" | 5" | 6" | 8" | 9" | 10" | 11" | 12" |



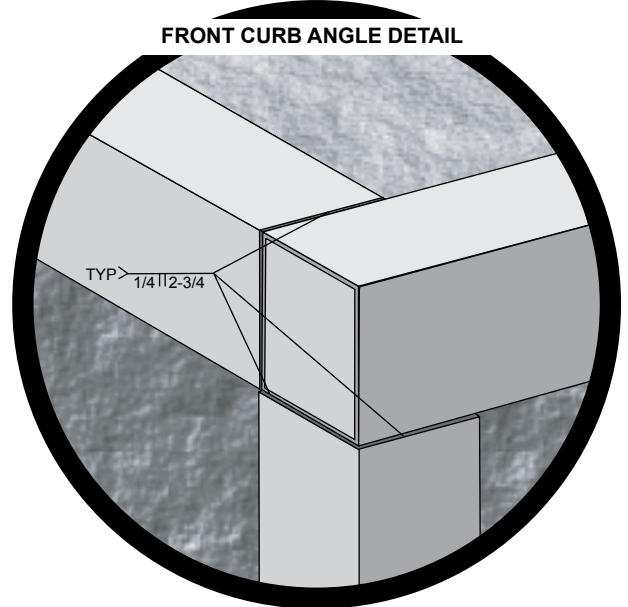
2 MODEL B410-14F LAMINATED BUMPERS - STANDARD FOR 30-50K

2 MODEL B610-14F LAMINATED BUMPERS - OPTIONAL FOR 60-80K



2 MODEL VB420-11F LAMINATED BUMPERS - OPTIONAL FOR 30-50K

2 MODEL VB620-11F LAMINATED BUMPERS - OPTIONAL FOR 60-80K



DISTRIBUTED BY: